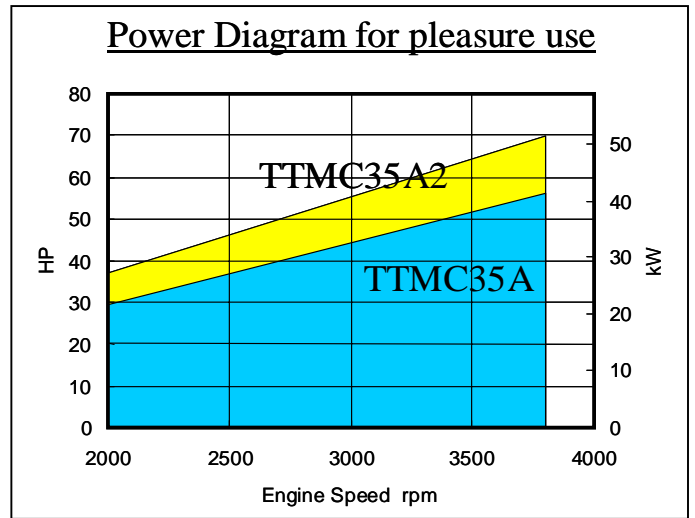


TUFF TORQ

BY KANZAKI

Marine Gear TTMC35A(2)(Mechanical)

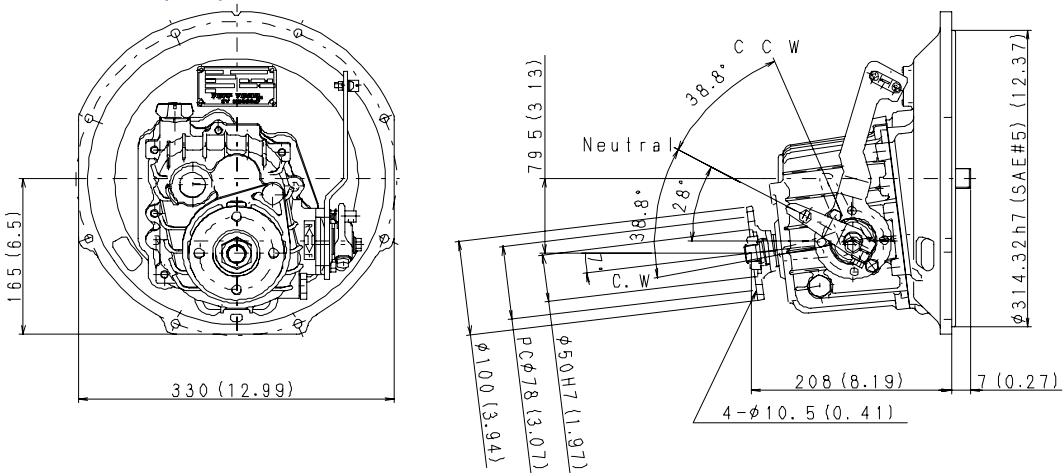


Specifications

Model	TTMC35A	TTMC35A2	
Clutch Type	Mechanical angle servo cone		
Input torque capacity (MAX. rpm)	103N.m (3800rpm)	129N.m (3800rpm)	
Reductionratio	Forward	2.33	2.64
	Reverse	3.04	3.06
Direction of rotation (viewed from stern)	Input shaft	Counter-clockwise	
	Output shaft	Clockwise	
Lubricating oil	SAE#20/#30(without multi-grade oil)		
Lubricating oil capacity	0.65 liter [0.17gal.]		
Dry weight	13.0 kg [28.6 lb]		

"SAE#5 is standard flange". (Option : Other SAE# alternatively Borg Warner size available)

Dimensional Data mm(inch)



Specifications and design are subject to change without notice.

KANZAKI KOKYUKOKI MFG. CO., LTD.

Address: 2-18-1 INADERA, AMAGASAKI, HYOGO, 661-0981 JAPAN
 Tel : 81-6- 6494-6737 Fax: 81-6- 6494-6829
 Homepage : <http://www.kanzaki.co.jp>

TUFF TORQ CORP.

Address: 5943 Commerce Blvd. Morristown, Tennessee 37814 USA
 Tel : 1(423) 585-1971 Fax: 1(423) 585-2003