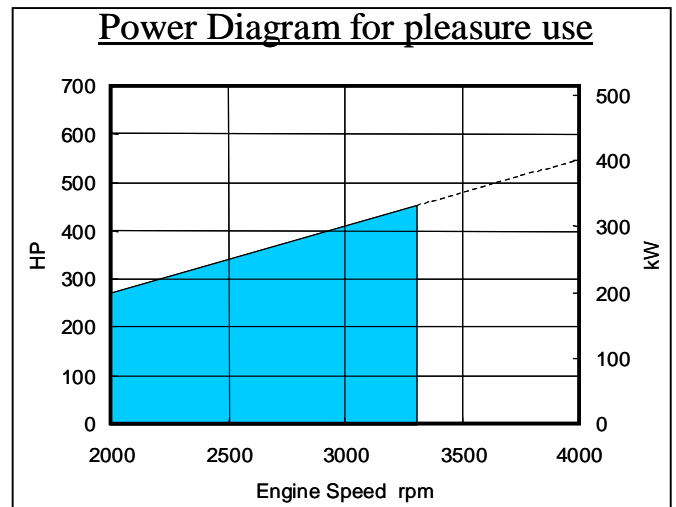


TUFF TORQ

BY KANZAKI

Marine Gear TTM60V (Hydraulic)



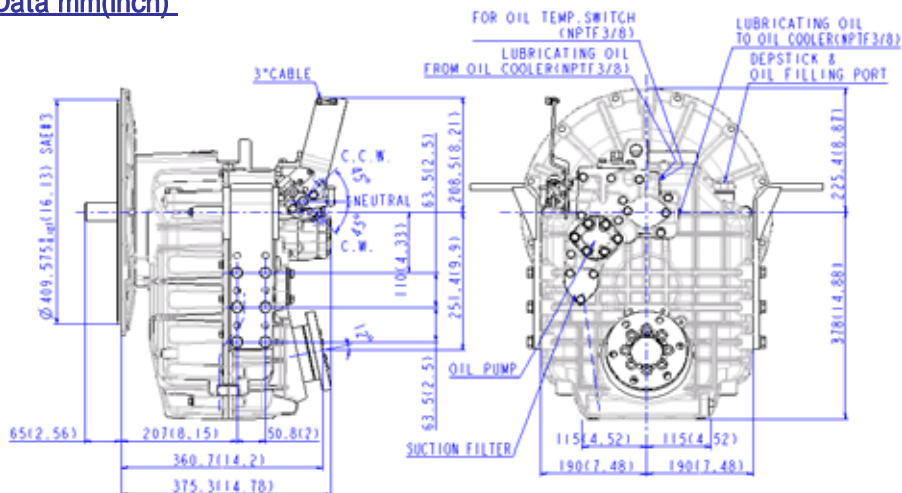
Specifications

| | | | | | |
|---|--------------|--|------|------|------|
| Model | | TTM60V | | | |
| Clutch Type | | Hydraulically actuated multi-disc clutch | | | |
| Input torque capacity (MAX. rpm) | | 960N.m (3300rpm) | | | |
| Reductionratio | Forward | 1.25 | 1.50 | 2.00 | 2.45 |
| | Reverse | 1.25 | 1.50 | 2.00 | 2.45 |
| Direction of rotation (viewed from stern) | Input shaft | Counter-clockwise | | | |
| | Output shaft | Clockwise and counter-clockwise | | | |
| Lubricating oil | | SAE#30(without multi-grade oil) | | | |
| Lubricating oil capacity | | 8.0 liter [2.1gal.] | | | |
| Dry weight | | 80kg [176 lb](with Borg Warner flange, without foot) | | | |

"SAE#3 is standard flange". (Option : Other SAE# alternatively Borg Warner size available)

Trolling Valve and/or PTO available as option .

Dimensional Data mm(inch)



Specifications and design are subject to change without notice.



KANZAKI KOKYUKOKI MFG. CO., LTD.

Address: 2-18-1 INADERA, AMAGASAKI, HYOGO, 661-0981 JAPAN
 Tel : 81-6- 6494-6737 Fax: 81-6- 6494-6829
 Homepage : <http://www.kanzaki.co.jp>



TUFF TORQ CORP.

Address: 5943 Commerce Blvd. Morristown, Tennessee 37814 USA
 Tel : 1(423) 585-1971 Fax: 1(423) 585-2003